

HEALTHCARE SOLUTIONS YOU CAN TRUST

# D700

MONITOR / DEFIBRILLATOR



# D700

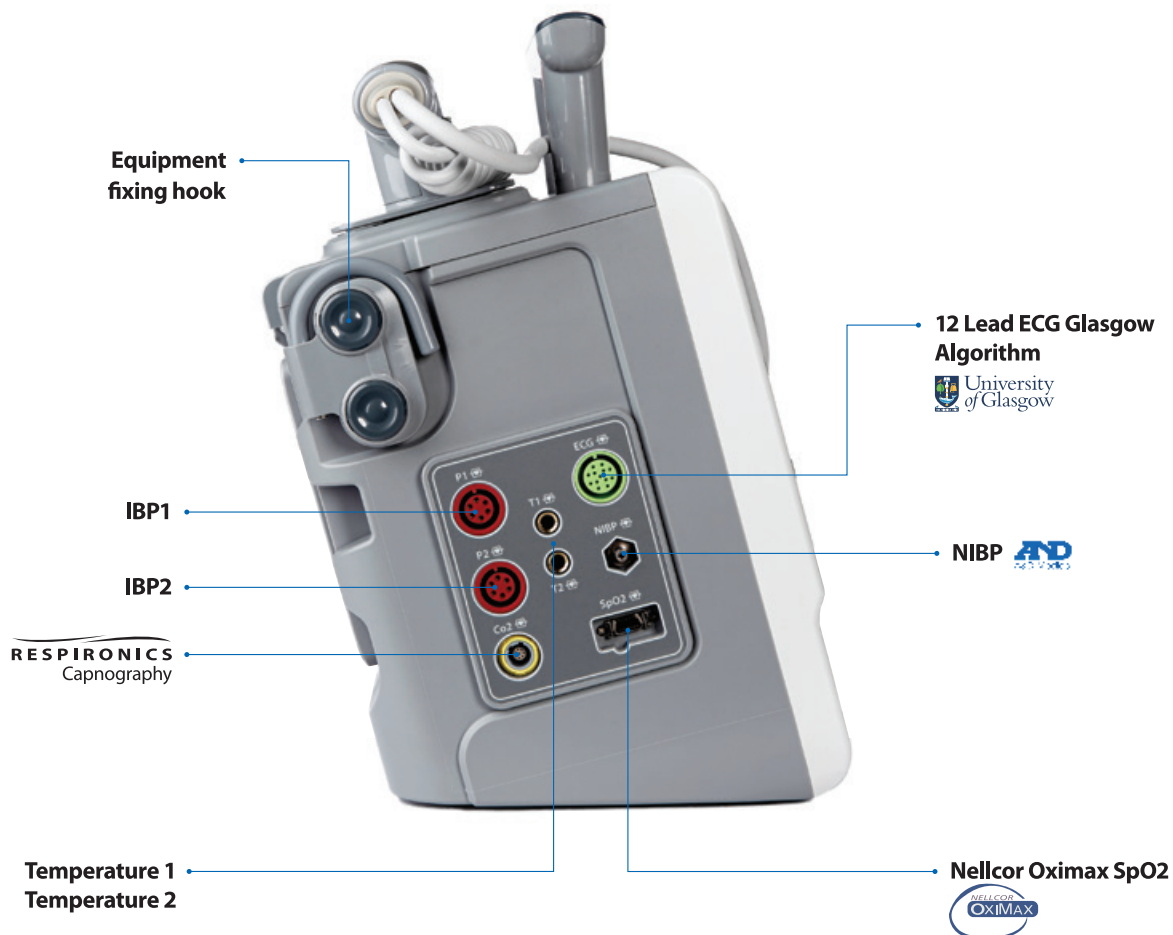
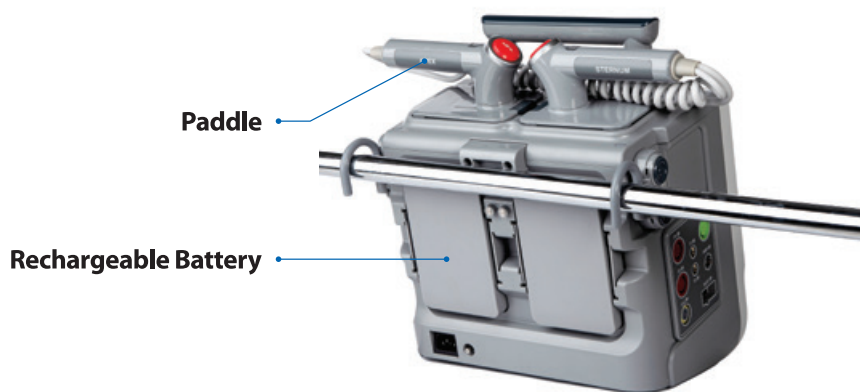
## MONITOR / DEFIBRILLATOR

Intended for adult, pediatric, or newborn patients in ambulances or indoor emergency facilities. To be used by doctors, nurses, medical professionals, or skilled people with equivalent qualifications.



# Biphasic Defibrillation, Pacing and Complete Monitoring in one Portable Device

- Multi-functional Defibrillator/Monitor
- Manual and AED Operation
- Non-invasive Pacing Mode
- Advanced Biphasic Technology
- Defibrillation with paddles
- Internal defibrillation with internal spoons
- 12 Lead ECG Monitoring
- Self Test Function
- CPR Feedback Function





## Four Modes



### Manual Defibrillation Mode

Accessing the ECG, decide if defibrillation is indicated, select the appropriate energy setting, charge the defibrillator, and deliver the shock. Text messages on the display provide relevant information throughout the process.



### Monitor Mode

3 or 5-lead ECG, optional monitoring of SpO2, RESP, TEMP, NIBP, EtCO2, IBP and 12 Lead ECG. Measurements from these parameters are presented on the display and alarms are available to alert you to changes in the patient's condition. Also provides a large numeric display.



### AED Mode

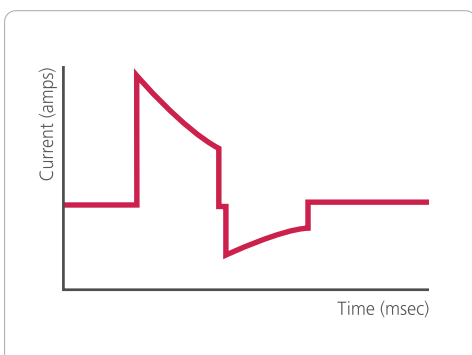
Designed for the treatment of Sudden Cardiac Arrest (SCA). Used to treat someone who may be a victim of SCA and unresponsive to stimulus, not breathing, exhibiting no signs of life.



### Pacing Mode

Used to deliver pace pulses to the heart. Pace pulses are delivered through multifunction pads applied to the patient's bare chest. The D700 can deliver pace pulses in either demand mode or fixed mode.

## Biphasic Waveform



Most effective Biphasic Truncated Exponential Waveform with impedance compensation. (25 to 175 Ohm)

## 12 lead ECG

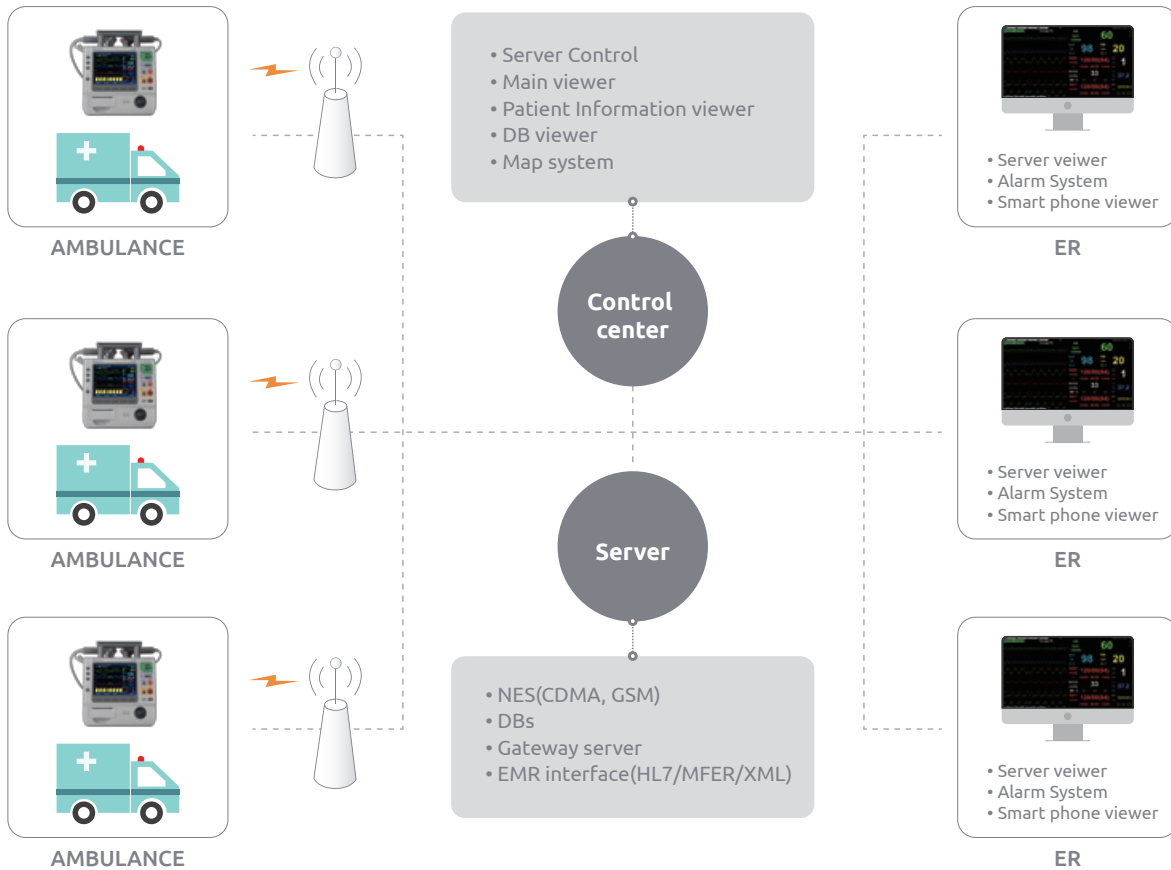


The optional 12 lead ECG function, using the GLA(Glasgow) algorithm, is available in Monitor Mode and allows users to Acquire, Setup, 12 lead On and Patient Info. providing computerized ECG analysis. A report with measurements and interpretive statements is displayed, stored, and printed.





## SMART WIRELESS EMERGENCY MEDICAL CARE SYSTEM



Mediana Seoul Office

53, Donggwang-ro, Seocho-gu, Seoul, Korea Tel. +82 2 542 3375 Fax. +82 2 542 7447

Mediana HQ / Factory / R&D

132, Donghwagongdan-ro, Munmak-eup, Wonju-si, Gangwon-do, Korea Tel +82 33 742 5400 Fax. +82 33 742 5483

[www.mediana.co.kr](http://www.mediana.co.kr)